



CATALOGUE SECTION FOR:

**KKK
Type Turbos**

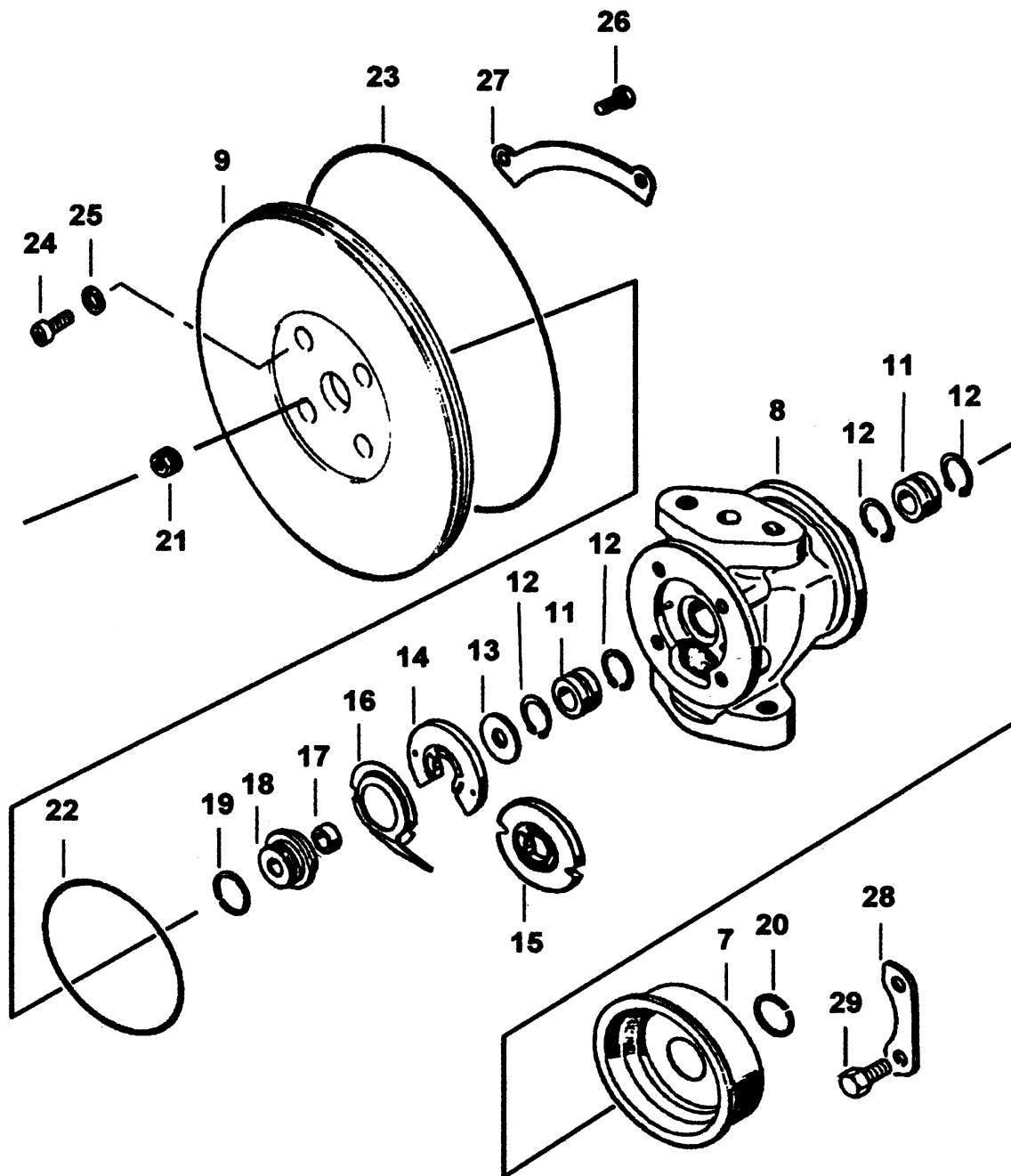
K14 Range

**Component Parts Common
Component Parts Not Common**



(KKK Type) K14

Component Parts Common and Kit contents



MELETT 2002. ALL MANUFACTURERS NAMES, NUMBERS, SYMBOLS AND DESCRIPTIONS USED HERE IN ARE FOR REFERENCE PURPOSES ONLY AND DO NOT IMPLY THAT ANY PART LISTED IS THE PRODUCT OF THESE MANUFACTURERS.



(KKK Type) K14

Component Parts Common and Kit contents

Key	Description	MELETT Part Number	Quantity Per Turbo	Repair Kit 1301014750	Repair Kit 1301014751	Repair Kit 1301014752	Repair Kit 1301014753
7	Heat Shield	See C.P.N.C					
8	Bearing Housing	See C.P.N.C					
9	Seal Plate	See C.P.N.C					
11	Bearing (Grooved OD)	1301014100	2	2	2	2	2
	Bearing (OD +.005"/ID -.005")	1301014110	2				
	Bearing (OD +.010"/ ID -.010")	1301014120	2				
	Bearing (OD +.010"/ ID Std)	1301014124	2				
12	Snap Ring	1301014140	4	4	4	4	4
13	Thrust Ring	N/A	1				
14	Thrust Bearing		1				
15	Thrust Bearing 360 Deg.	1301014320	1	1	1	1	1
16	Oil Deflector	N/A	1				
17	Spacer Sleeve	N/A	1				
18	Flinger Sleeve (14.0 P/R)	N/A	1				
19	Piston Ring (Comp end) 14.0	1301014160	1	1	1	1	1
	Piston Ring (O/S Comp end) 14.1	1301014180	1				
20	Piston Ring (Turb. end) 14.0	1301014160	1	1	1	1	1
	Piston Ring (O.S. Turb. end) 14.1	1301014180	1				
21	Shaft Nut	1401404350	1	1	1	1	1
22	O Ring (B/Hsg to Seal Plate)	1301014150	1	1	1	1	1
23	O Ring (S/P to C/H) K14	1301014151	1	1	1	1	1
	O Ring (S/P to C/H) K16	1301016151	1				
24	Bolt (Seal Plate to B/Hsg)	1301014620	4	4	4	4	4
25	Washer (Seal plate)	1301014581	4	4	4	4	4
26	Bolt (Seal Plate) Comp K14	1301026610	4	4	5	4	5
27	Clamp Plate (Comp) K14	N/A	1				
	Clamp Plate (Comp) K14	N/A	1				
	Clamp Plate (Comp) K16	N/A	2				
28	Clamp Plate (Turbine) K14	N/A	3				
	Clamp Plate (Turbine) K16	N/A	3				
29	Bolt (Turbine)	1301026600	6	6	6		

NOTE

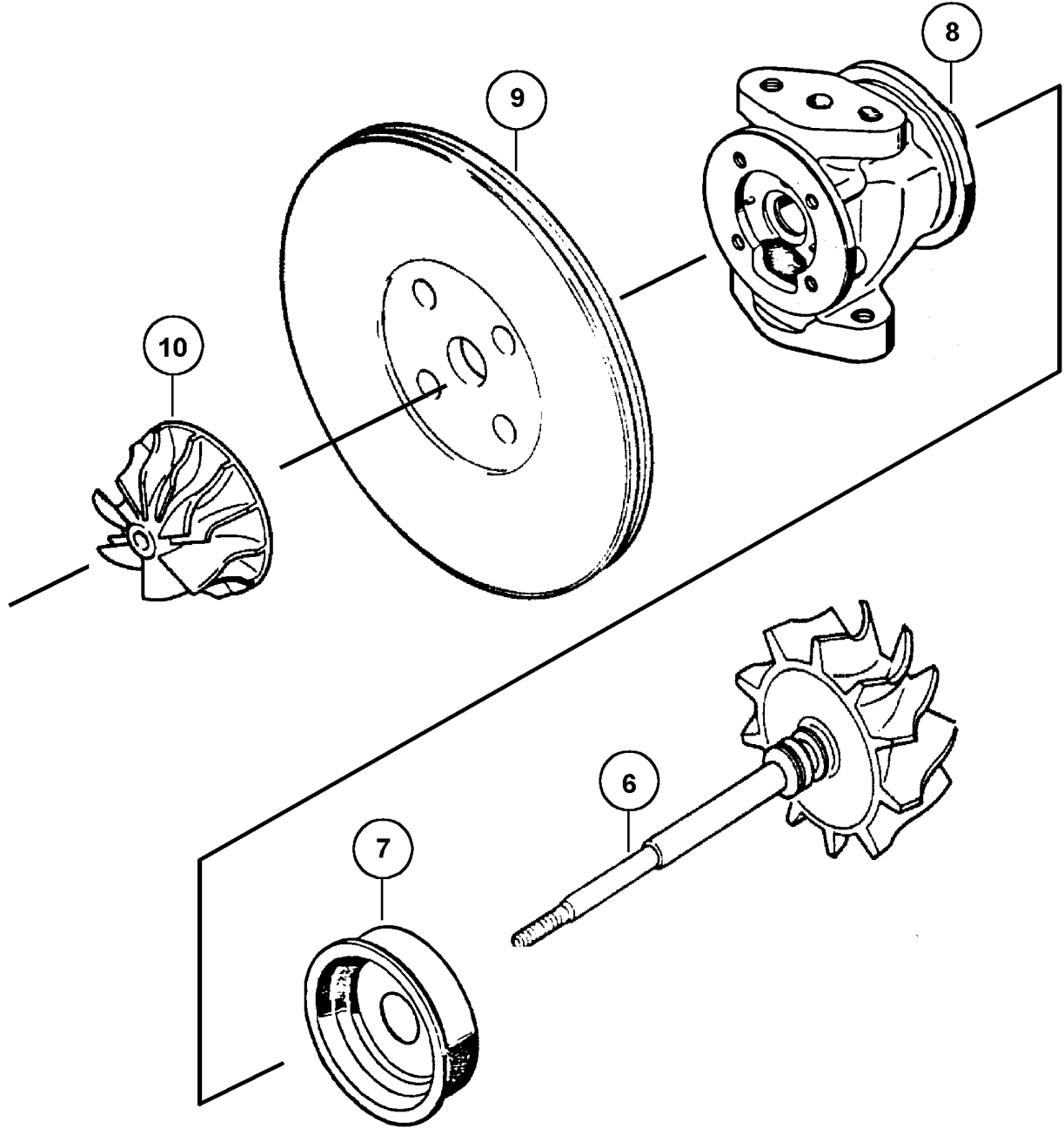
Melett repair kit contents are not like for like with KKK originals
 In most cases Melett does not include clamp plates (check C.P.C. for contents)

MELETT 2002. ALL MANUFACTURERS NAMES, NUMBERS, SYMBOLS AND DESCRIPTIONS USED HERE IN ARE FOR REFERENCE PURPOSES ONLY AND DO NOT IMPLY THAT ANY PART LISTED IS THE PRODUCT OF THESE MANUFACTURERS.



(KKK Type) K14

Component Parts NOT Common



MELETT 2002. ALL MANUFACTURERS NAMES, NUMBERS, SYMBOLS AND DESCRIPTIONS USED HERE IN ARE FOR REFERENCE PURPOSES ONLY AND DO NOT IMPLY THAT ANY PART LISTED IS THE PRODUCT OF THESE MANUFACTURERS.



(KKK Type) K14

KKK Turbo Part Number	MELETT Repair Kit Part Number	MELETT Core Assy. Part Number	MELETT S & Wheel Part Number 6	MELETT Heat Shield Part Number 7	MELETT B/Housing Part Number 8	MELETT Seal Plate Part Number 9	MELETT Comp. Wheel Part Number 10
53149706000	1301014750	N/A	1301014435	N/A	N/A	N/A	1301014400
53149706001	1301014750	N/A	1301014435	N/A	N/A	N/A	1301014400
53149706002	1301014750	N/A	1301014435	N/A	N/A	N/A	1301014400
53149706004	1301014750	N/A	1301014435	N/A	N/A	N/A	1301014400
53149706005	N/A	N/A	1301014435	N/A	N/A	N/A	1301014400
53149706082	1301014753	N/A	1301014435	N/A	N/A	N/A	1301014400
53149706084	1301014753	N/A	1301014435	N/A	N/A	N/A	1301014400
53149706086	1301014750	N/A	1301014435	N/A	N/A	N/A	1301014400
53149706086	1301014753	N/A	1301014435	N/A	N/A	N/A	1301014400
53149706087	1301014753	N/A	1301014435	N/A	N/A	N/A	1301014400
53149706088	1301014753	N/A	1301014435	N/A	N/A	N/A	1301014400
53149706400	1301014750	N/A	N/A	N/A	N/A	N/A	N/A
53149706401	1301014750	N/A	N/A	N/A	N/A	N/A	N/A
53149706402	1301014750	N/A	N/A	N/A	N/A	N/A	N/A
53149706403	1301014750	N/A	1301014435	N/A	N/A	N/A	N/A
53149706404	1301014752	N/A	1301014435	N/A	N/A	N/A	N/A
53149706406	1301014752	N/A	1301014435	N/A	N/A	N/A	N/A
53149706413	1301014751	N/A	1301014435	N/A	N/A	N/A	N/A
53149706414	1301014751	N/A	1301014435	N/A	N/A	N/A	N/A
53149706415	1301014751	N/A	1301014435	N/A	N/A	N/A	N/A
53149706416	1301014750	N/A	N/A	N/A	N/A	N/A	N/A
53149706417	1301014750	N/A	N/A	N/A	N/A	N/A	N/A
53149706419	1301014752	N/A	1301014435	N/A	N/A	N/A	N/A
53149706423	1301014751	N/A	1301014435	N/A	N/A	N/A	N/A
53149706424	1301014751	N/A	1301014435	N/A	N/A	N/A	N/A
53149706433	1301014751	N/A	1301014435	N/A	N/A	N/A	N/A
53149706443	1301014751	N/A	1301014435	N/A	N/A	N/A	N/A
53149706701	1301014750	N/A	N/A	N/A	N/A	N/A	N/A
53149706702	1301014750	N/A	N/A	N/A	N/A	N/A	N/A
53149706703	N/A	N/A	N/A	N/A	N/A	N/A	N/A
53149706704	N/A	N/A	N/A	N/A	N/A	N/A	1301016400
53149706706	N/A	N/A	N/A	N/A	N/A	N/A	1301016400
53149706707	N/A	N/A	N/A	N/A	N/A	N/A	N/A
53149706708	N/A	N/A	N/A	N/A	N/A	N/A	N/A
53149707001	1301014752	N/A	N/A	N/A	N/A	N/A	N/A
53149707002	N/A	N/A	N/A	N/A	N/A	N/A	N/A
53149707003	1301014752	N/A	N/A	N/A	N/A	N/A	N/A
53149707004	N/A	N/A	N/A	N/A	N/A	N/A	N/A
53149707005	1301014752	N/A	N/A	N/A	N/A	N/A	N/A
53149707006	1301014752	N/A	N/A	N/A	N/A	N/A	N/A

MELETT 2002. ALL MANUFACTURERS NAMES, NUMBERS, SYMBOLS AND DESCRIPTIONS USED HERE IN ARE FOR REFERENCE PURPOSES ONLY AND DO NOT IMPLY THAT ANY PART LISTED IS THE PRODUCT OF THESE MANUFACTURERS.



(KKK Type) K14

KKK Turbo Part Number	MELETT Repair Kit Part Number	MELETT Core Assy. Part Number	MELETT S & Wheel Part Number 6	MELETT Heat Shield Part Number 7	MELETT B/Housing Part Number 8	MELETT Seal Plate Part Number 9	MELETT Comp. Wheel Part Number 10
53149707009	1301014753	N/A	1301014435	N/A	N/A	N/A	N/A
53149707010	1301014751	N/A	N/A	N/A	N/A	N/A	N/A
53149707011	1301014752	N/A	N/A	N/A	N/A	N/A	N/A
53149707012	1301014751	N/A	N/A	N/A	N/A	N/A	N/A
53149707013	1301014751	N/A	N/A	N/A	N/A	N/A	N/A
53149707014	1301014753	N/A	1301014435	N/A	N/A	N/A	N/A
53149707015	1301014751	N/A	N/A	N/A	N/A	N/A	N/A
53149707016	N/A	N/A	N/A	N/A	N/A	N/A	N/A
53149707018			N/A	N/A	N/A	N/A	N/A
53149707019	N/A	N/A	N/A	N/A	N/A	N/A	N/A
53149707020	N/A	N/A	N/A	N/A	N/A	N/A	N/A
53149707021	N/A	N/A	N/A	N/A	N/A	N/A	N/A
53149707022	1301014753	N/A	1301014435	N/A	N/A	N/A	N/A
53149707023	1301014752	N/A	N/A	N/A	N/A	N/A	N/A
53149707024	N/A	N/A	N/A	N/A	N/A	N/A	N/A
53148707026	N/A	N/A	N/A	N/A	N/A	N/A	N/A
53149707026	N/A	N/A	N/A	N/A	N/A	N/A	N/A

MELETT 2002. ALL MANUFACTURERS NAMES, NUMBERS, SYMBOLS AND DESCRIPTIONS USED HERE IN ARE FOR REFERENCE PURPOSES ONLY AND DO NOT IMPLY THAT ANY PART LISTED IS THE PRODUCT OF THESE MANUFACTURERS.